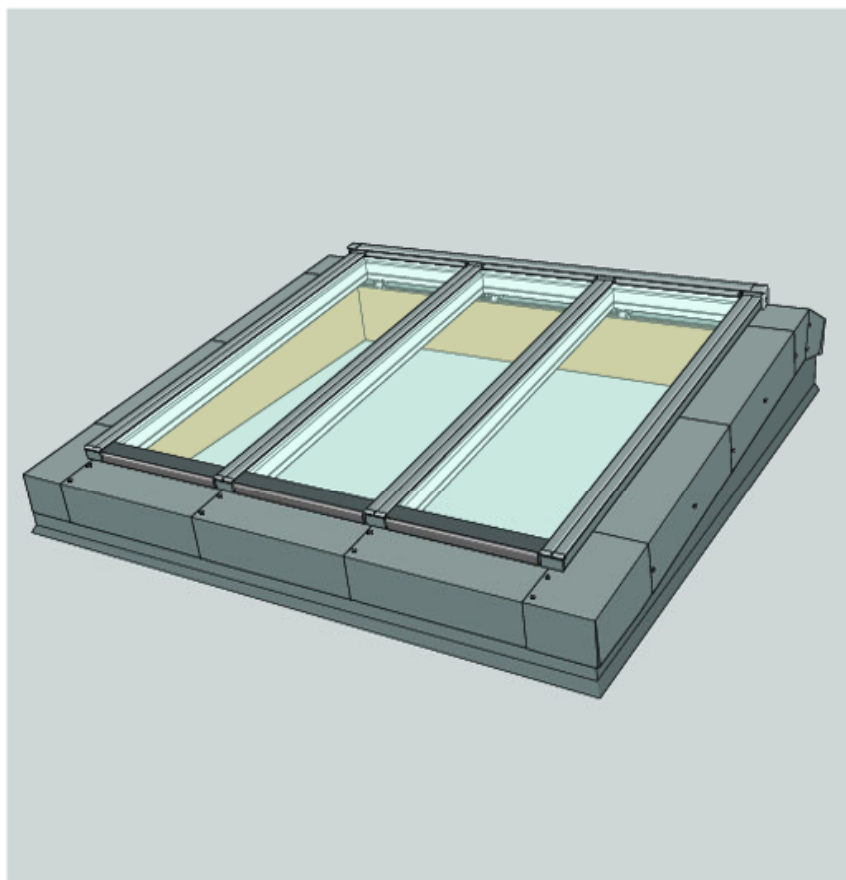
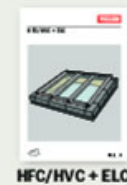


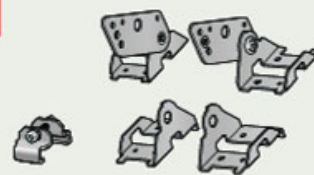
**HFC/HVC + ELC**



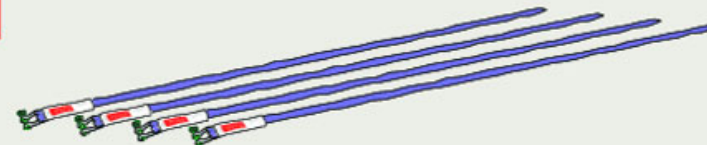
**A1-L**



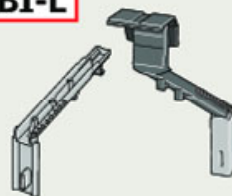
**A2-L**



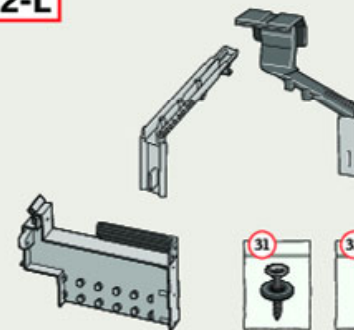
**A3-L**



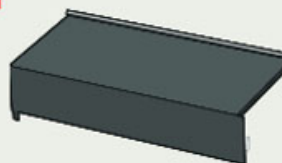
**B1-L**



**B2-L**



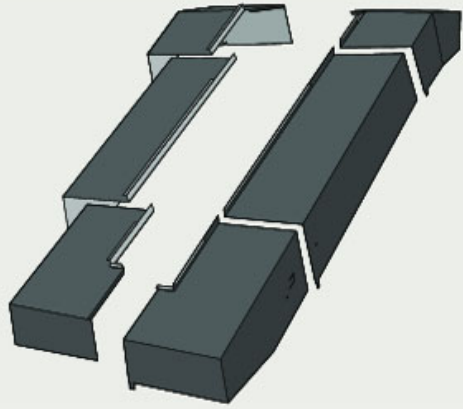
**C1-L**



**C2-L**



**C3-L**



**D1-L**



**D2-L**



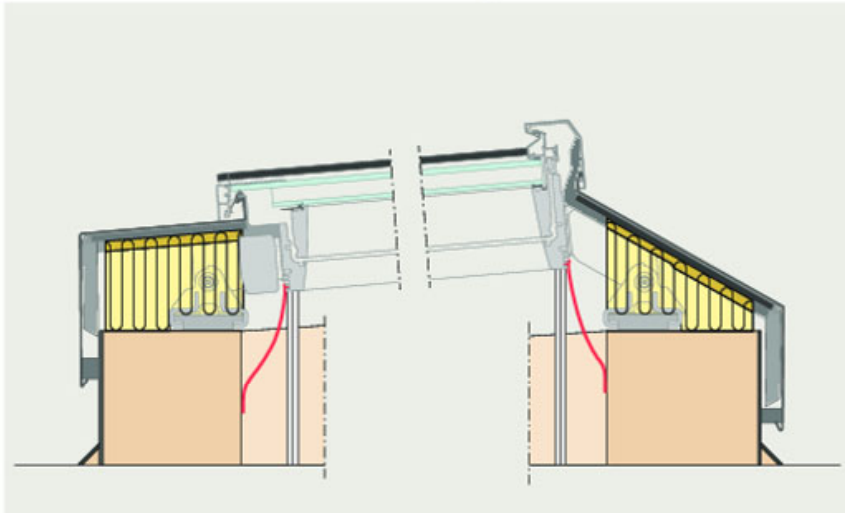
**D3-L**



**D4-L**



**BCX**



TX 20  
HEX 6

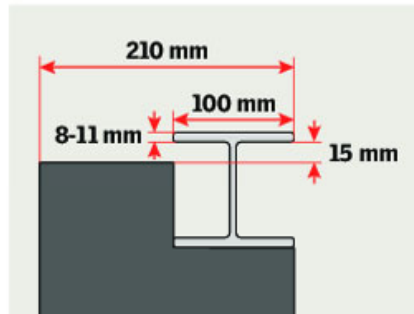
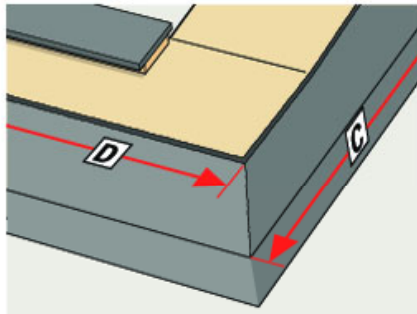
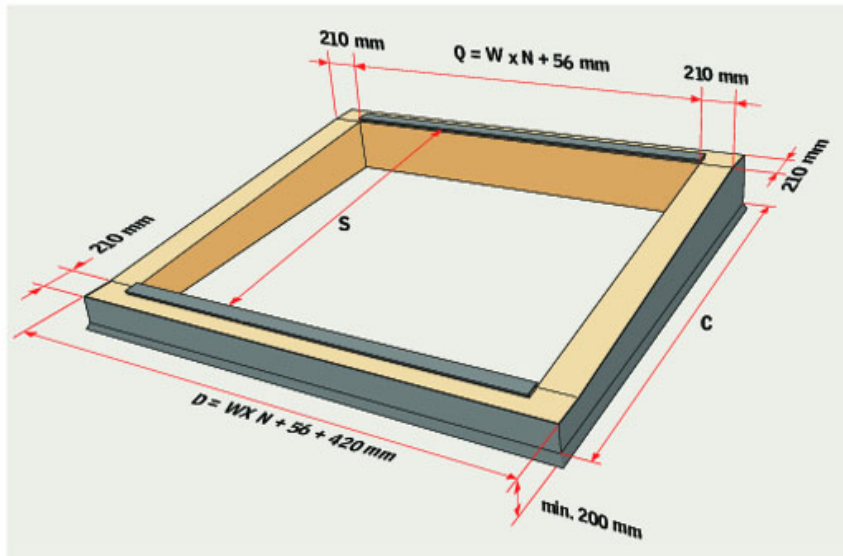


13 mm



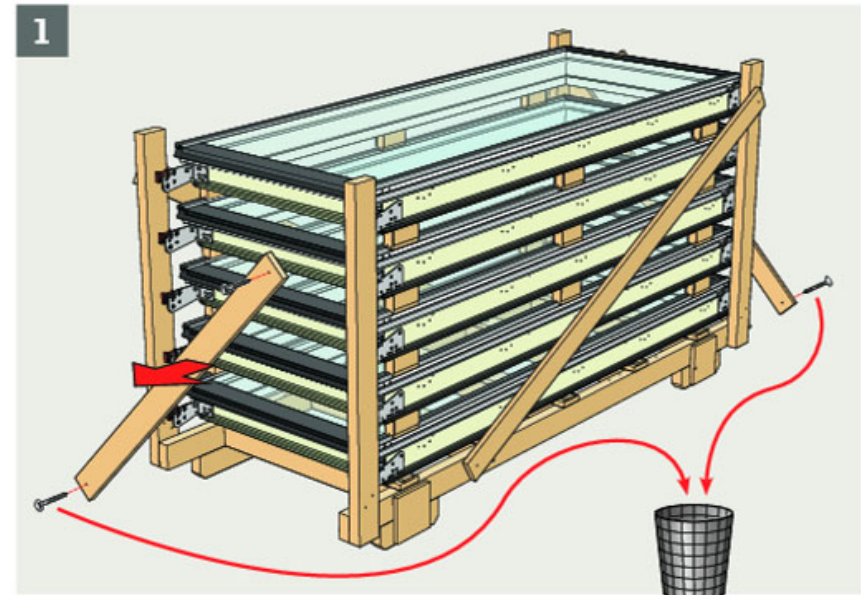
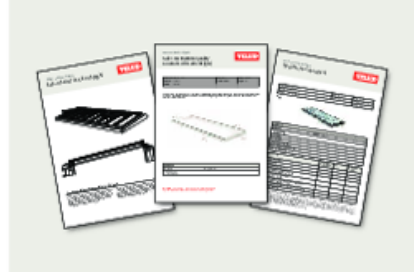
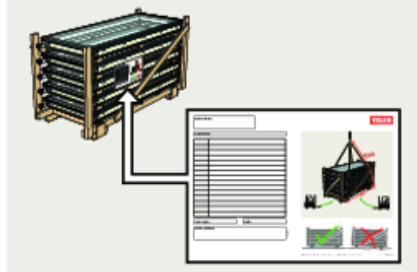
HEX 6

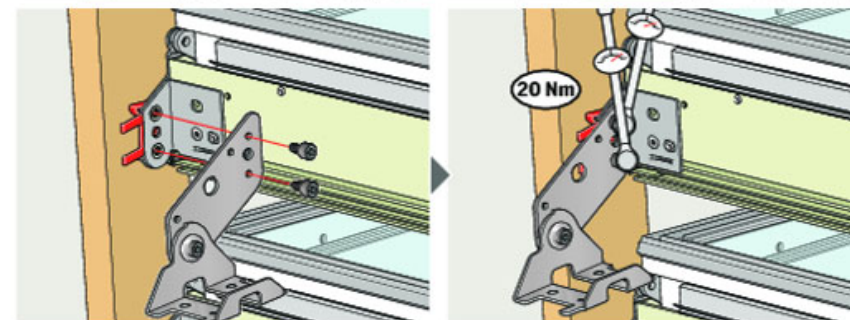
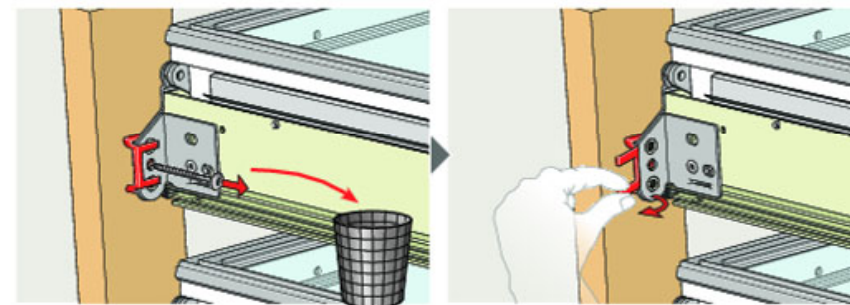
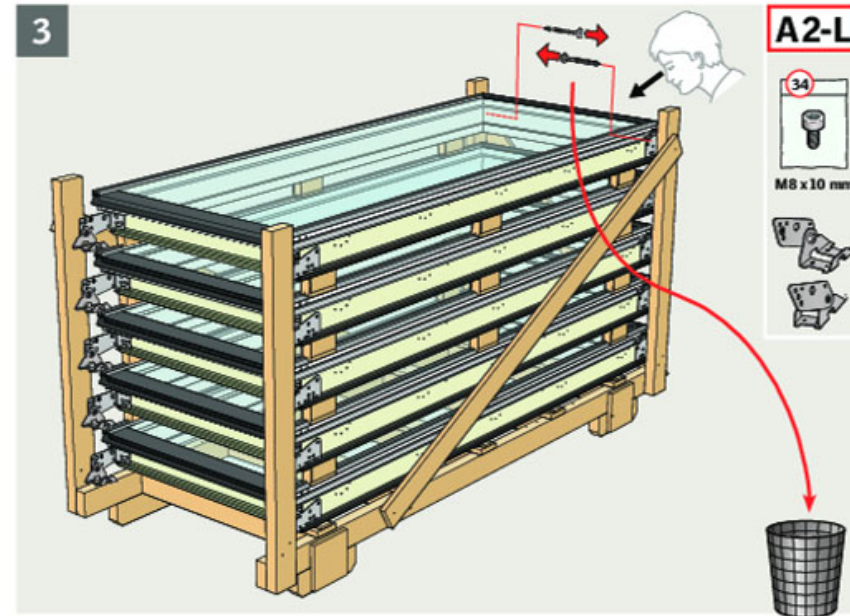
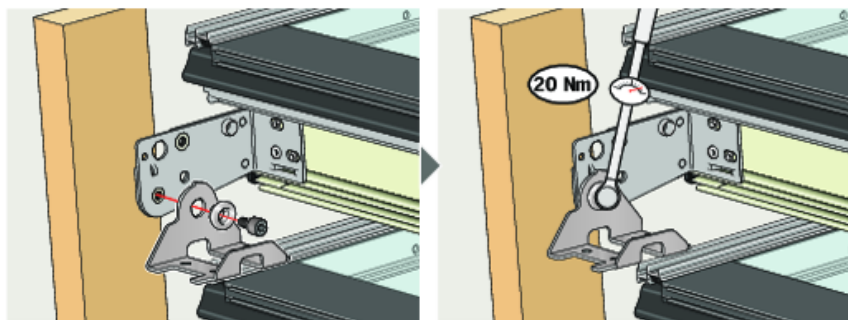
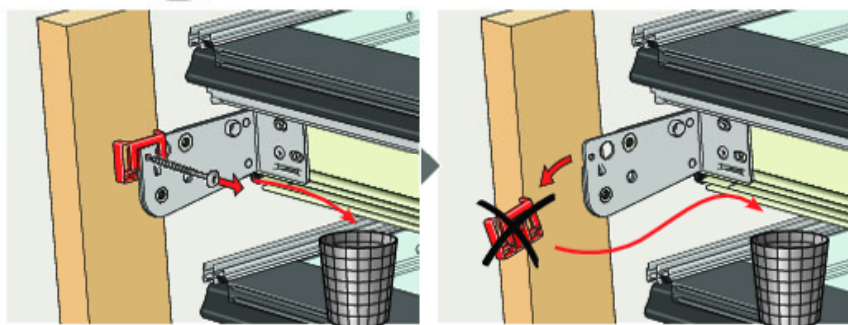
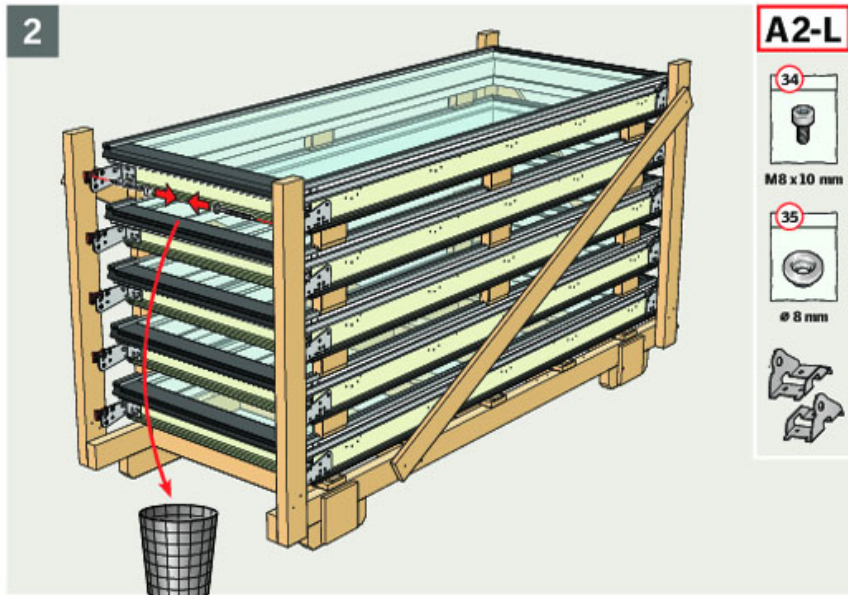


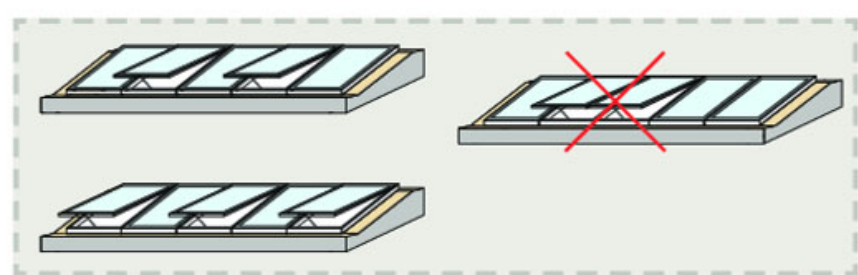
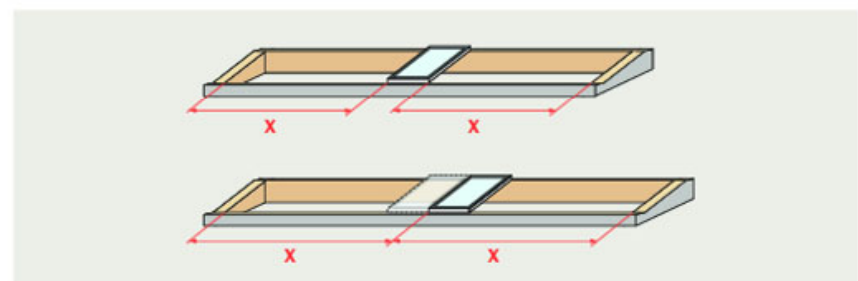
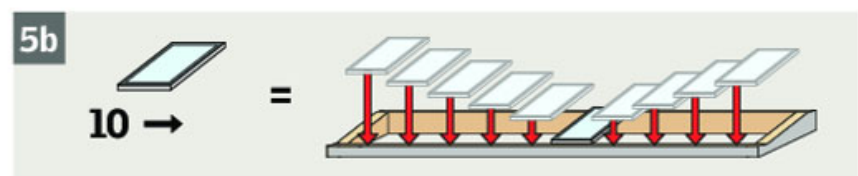
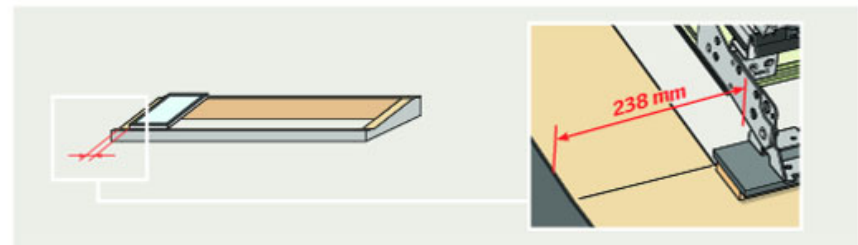
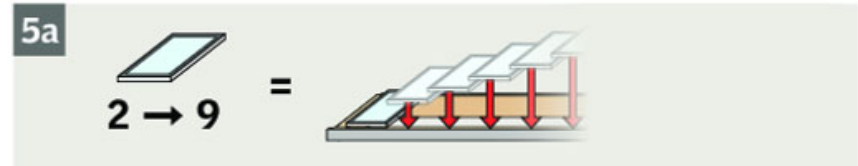
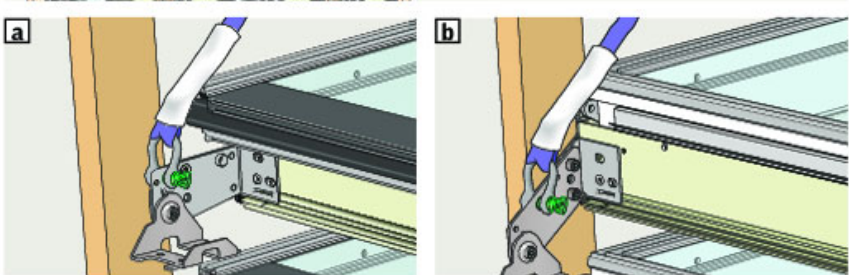
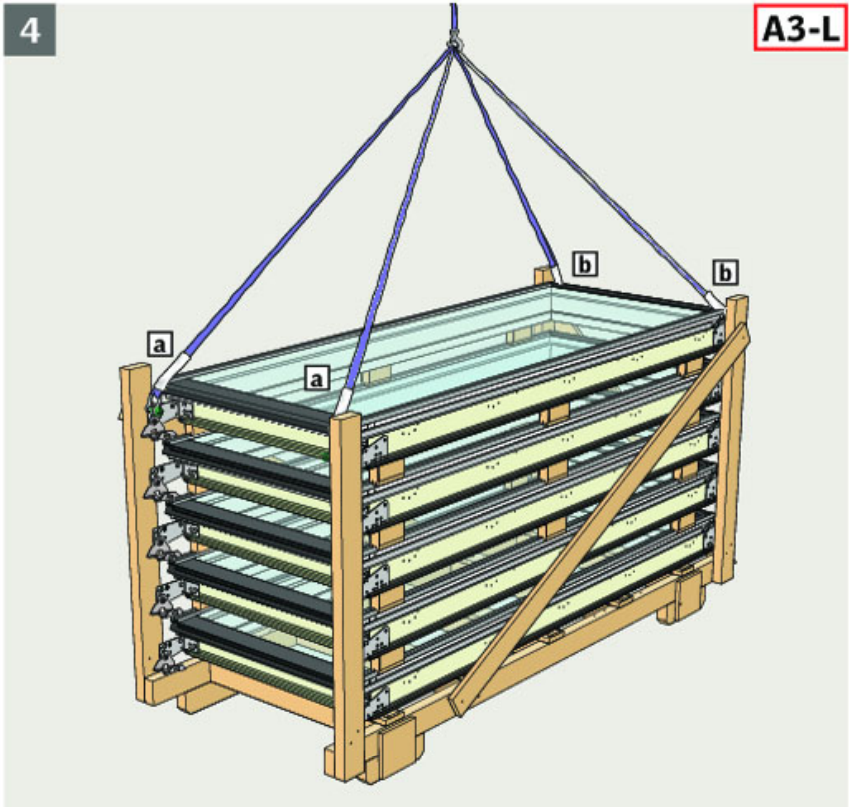


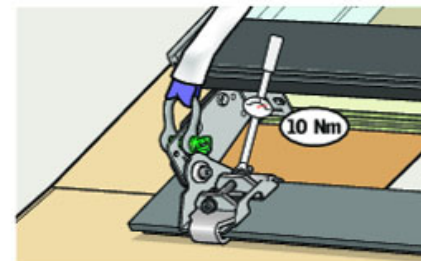
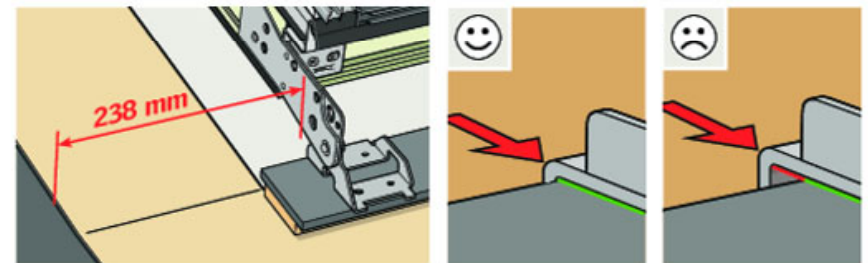
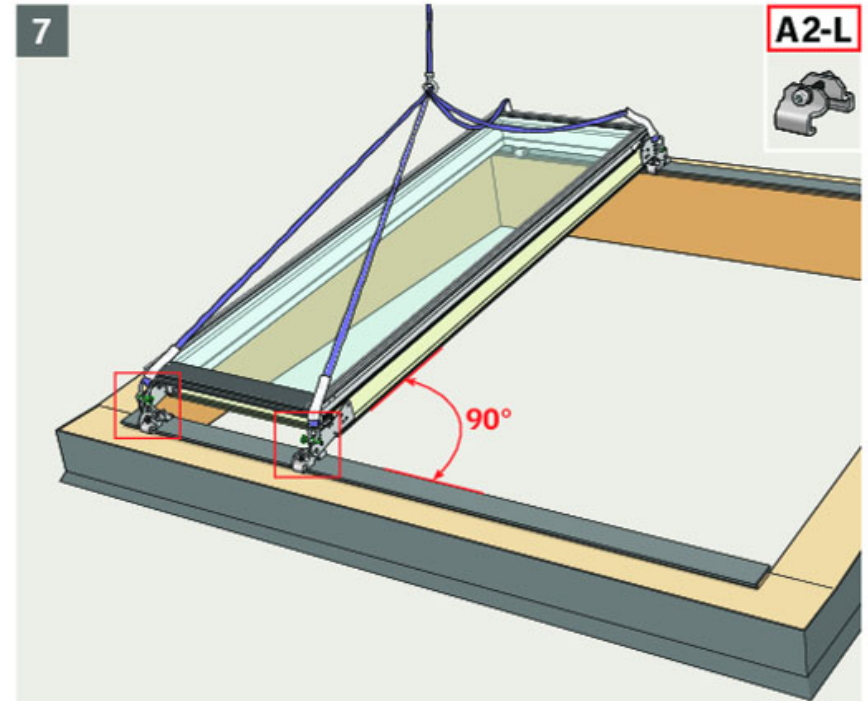
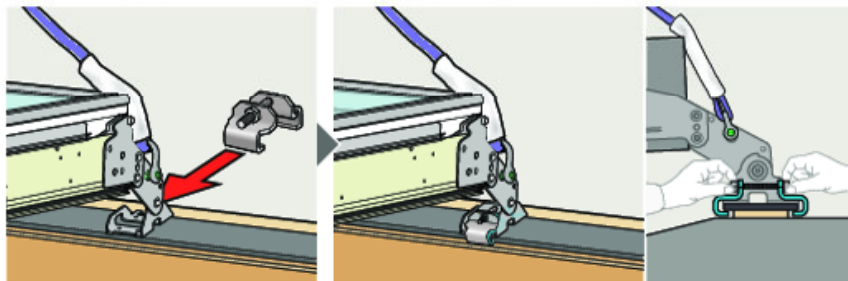
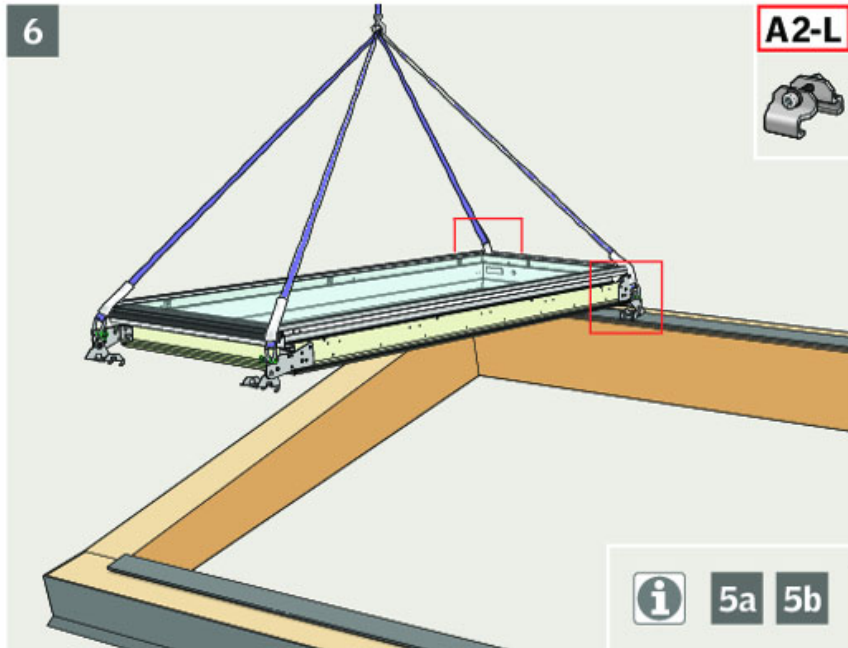
**W mm / H mm / N**

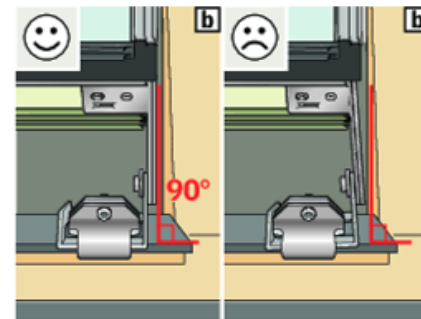
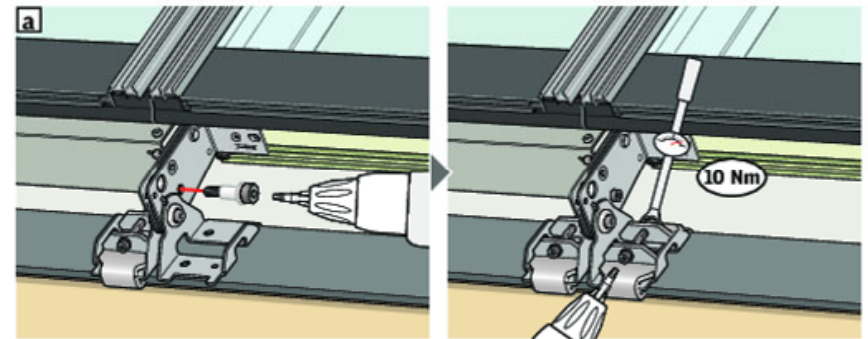
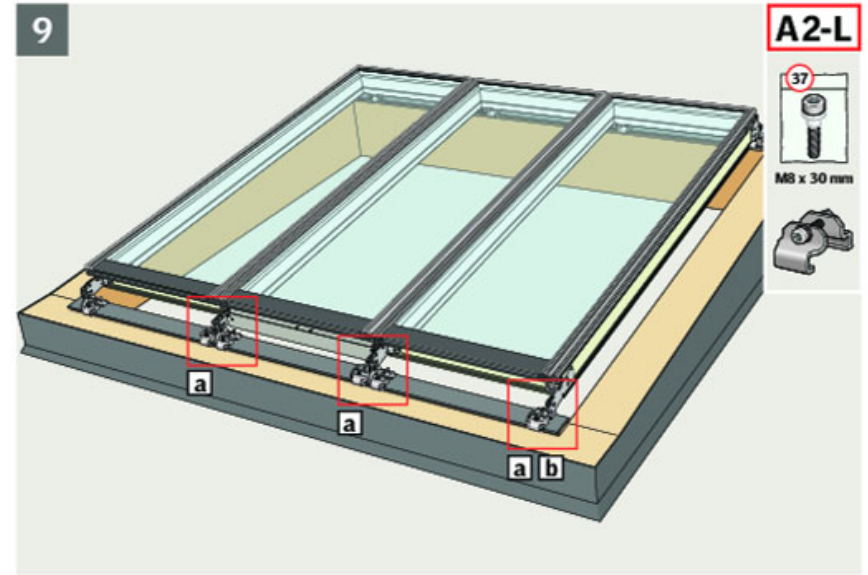
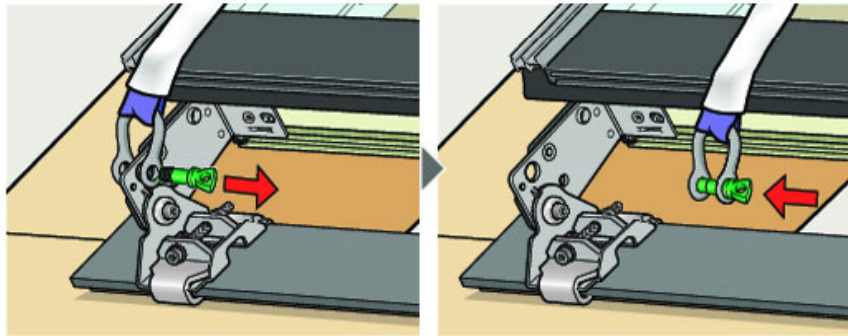
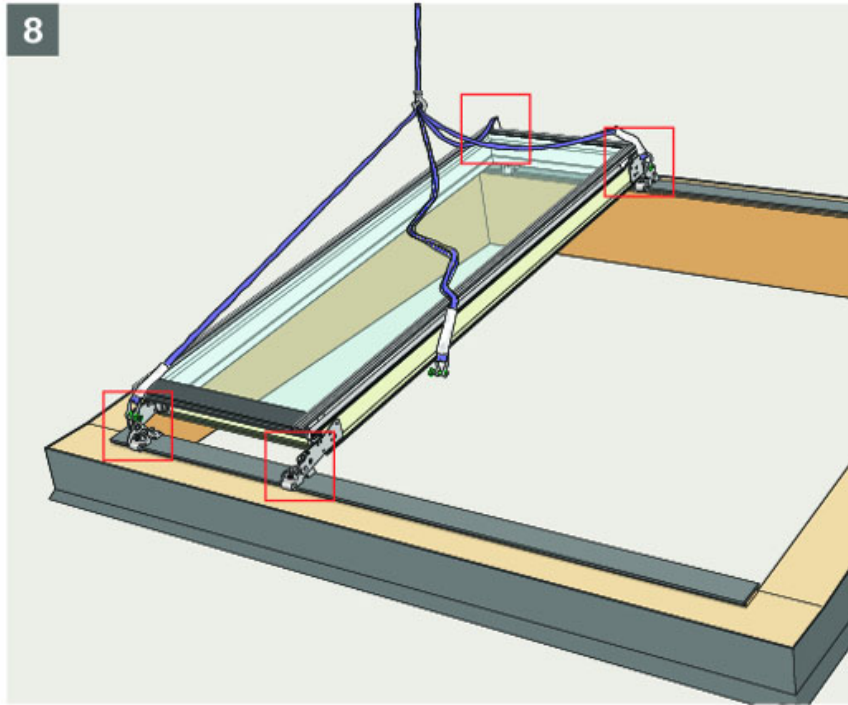
**C mm / D mm / S mm / Q mm**

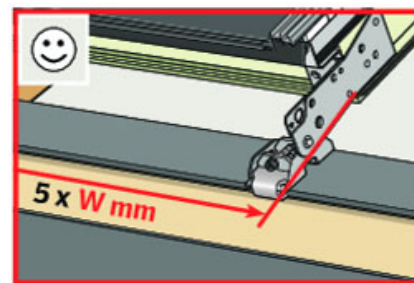
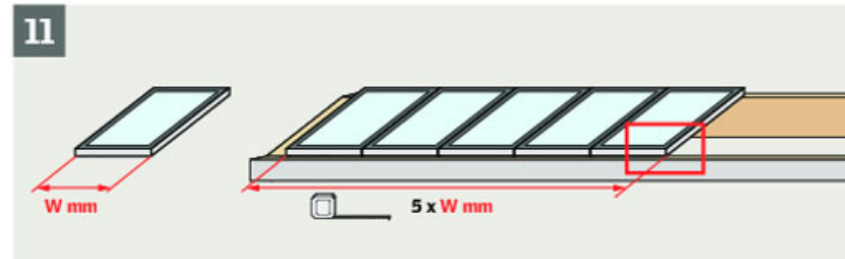
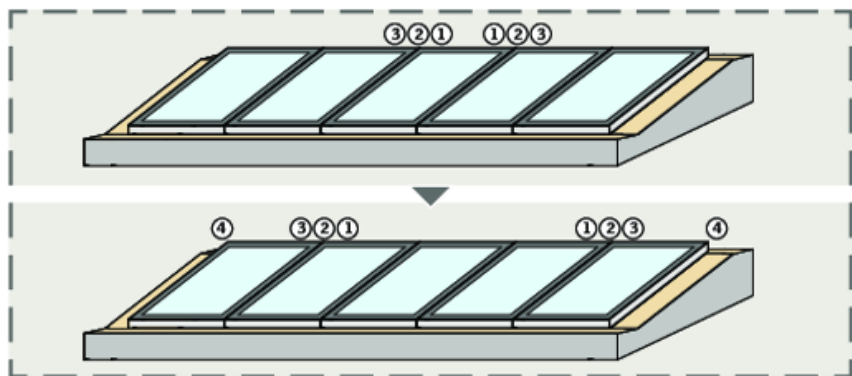
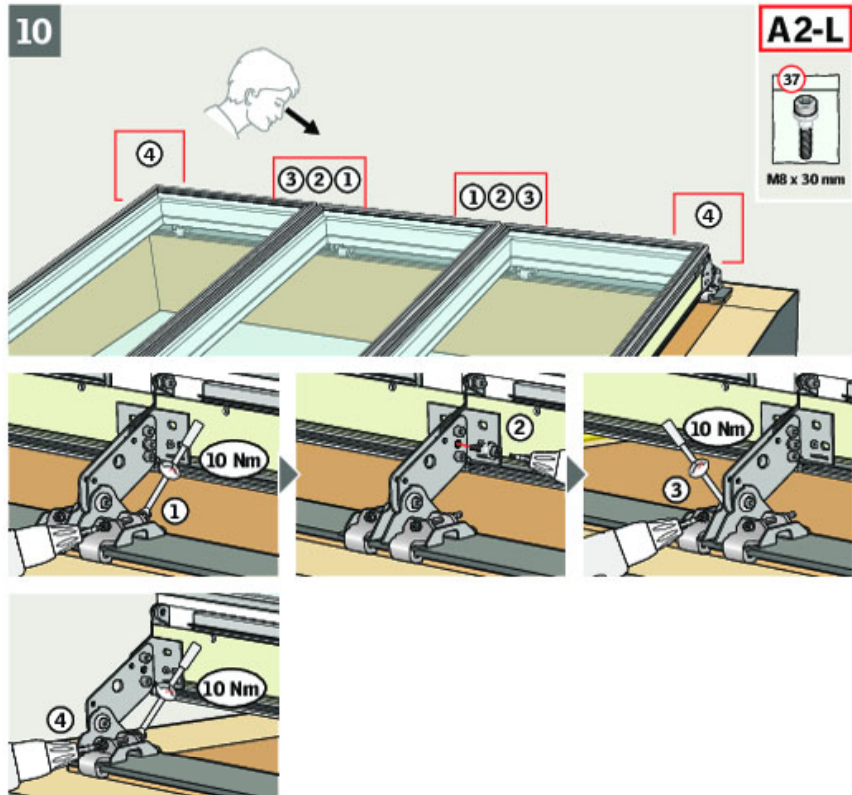




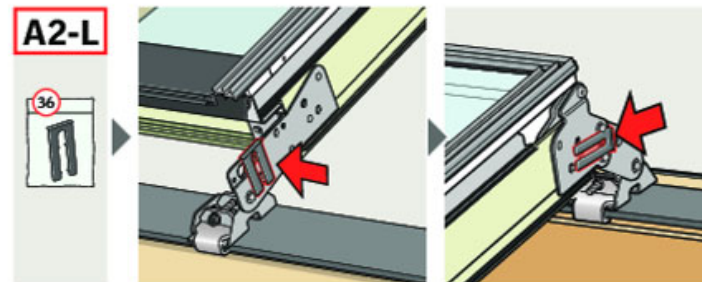
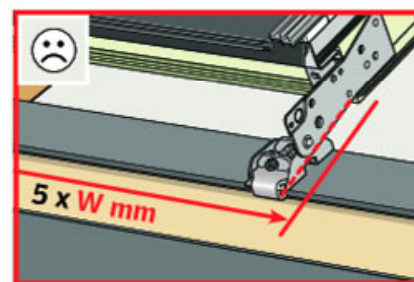






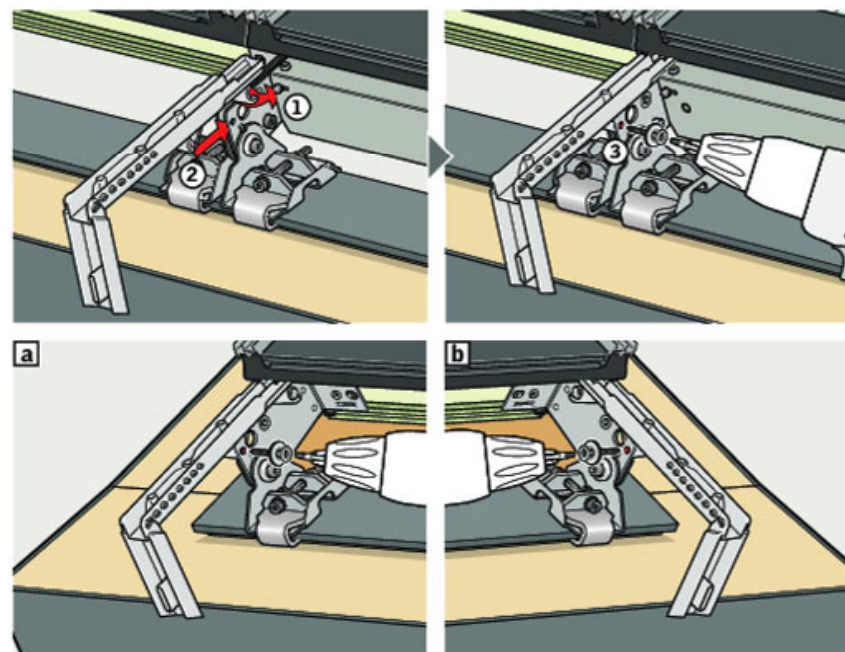
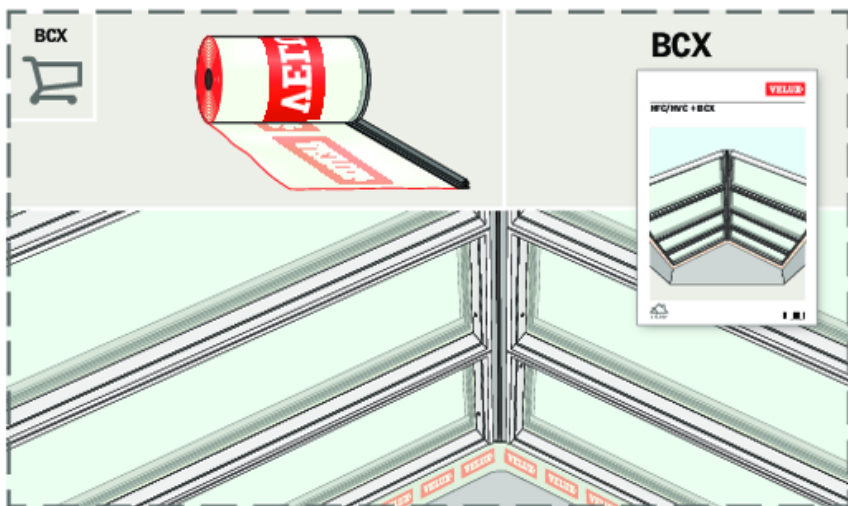
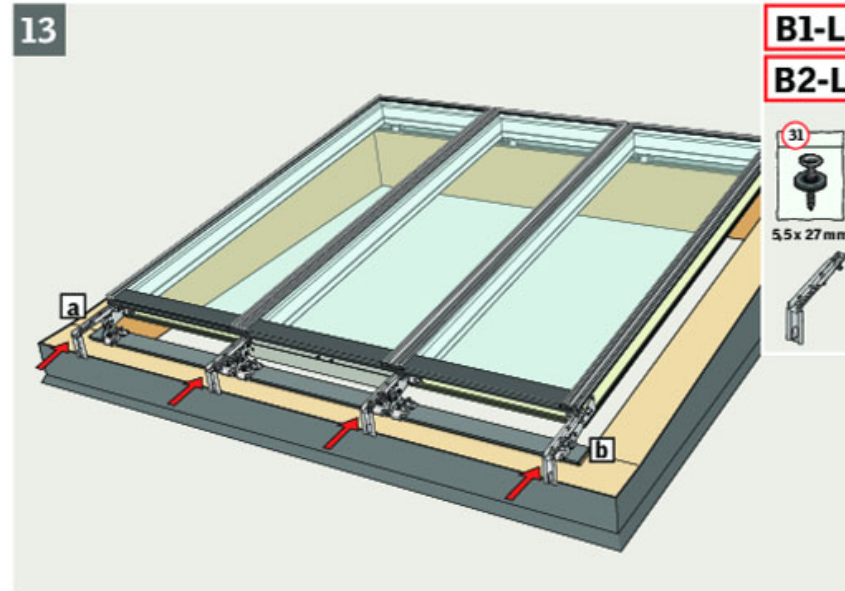
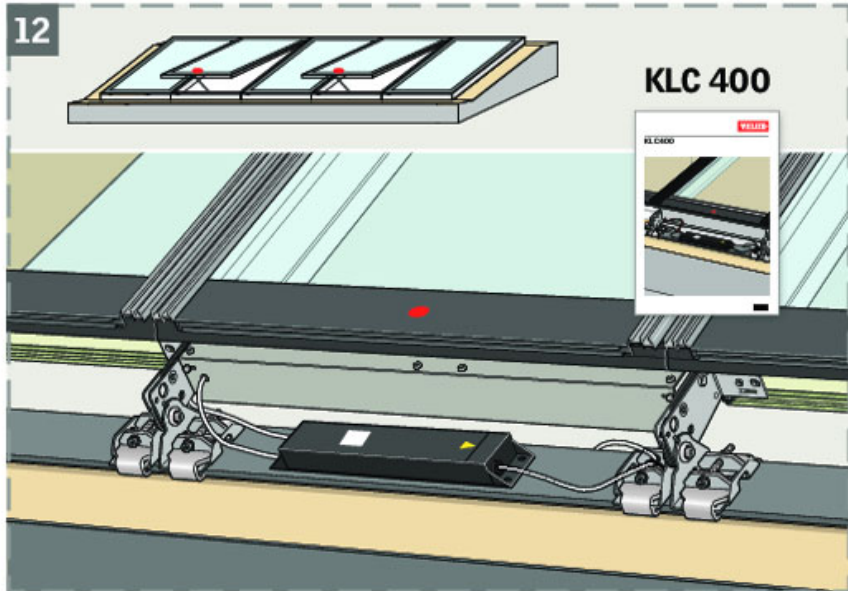


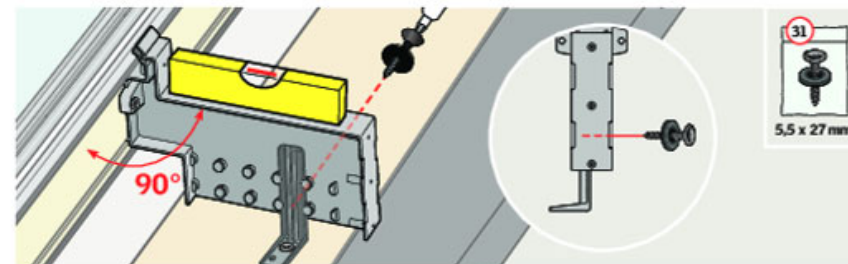
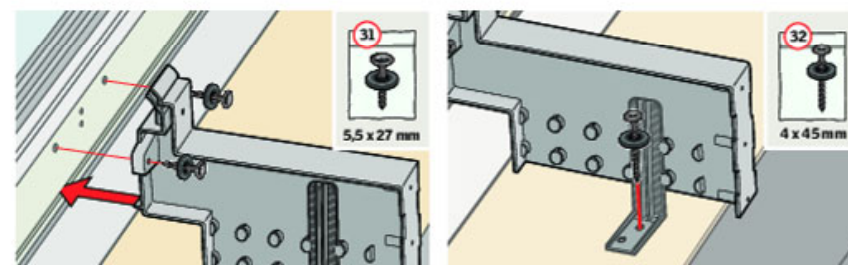
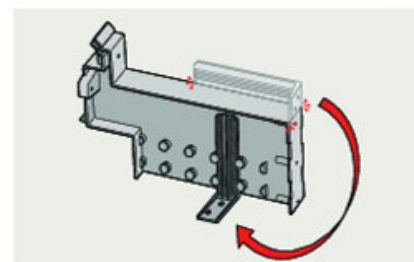
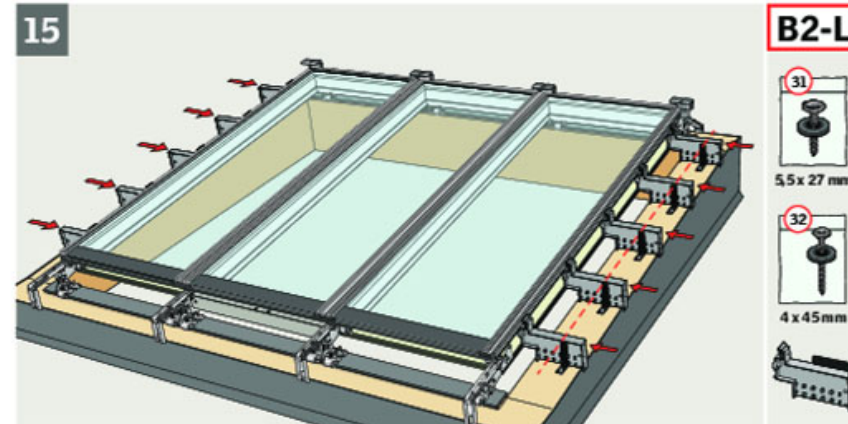
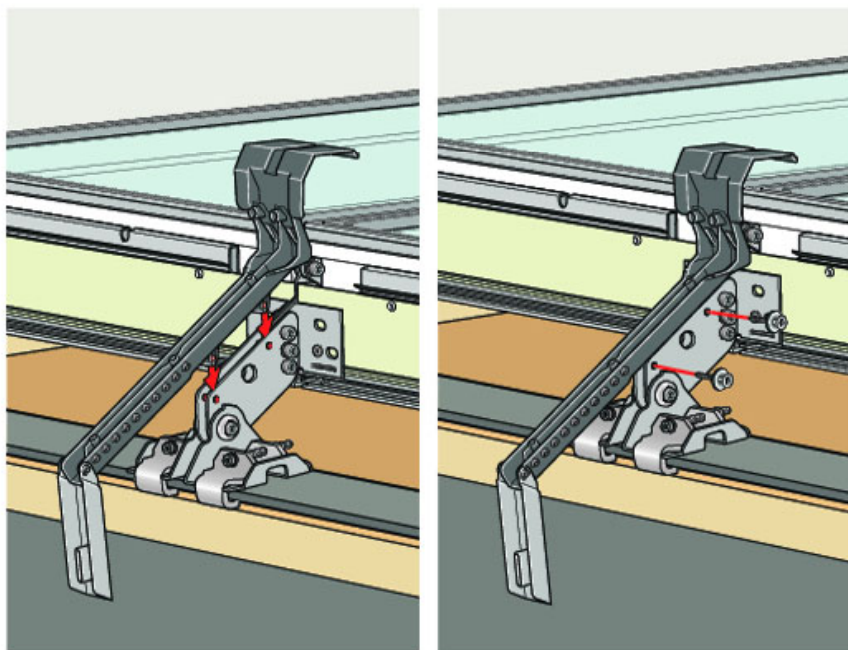
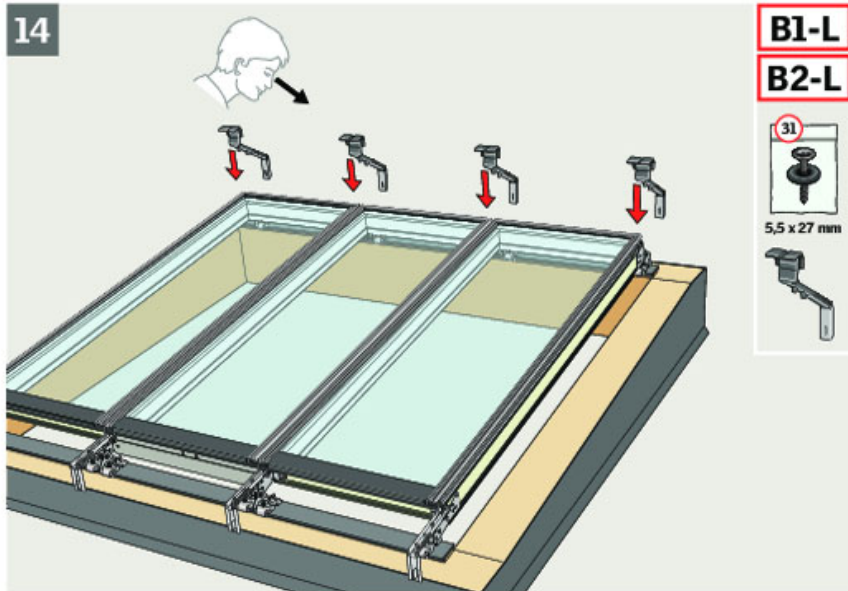
12

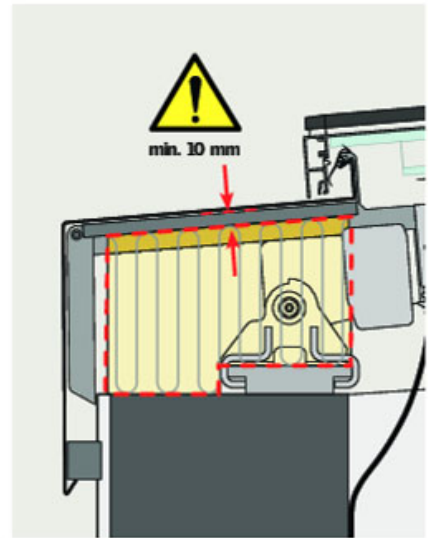
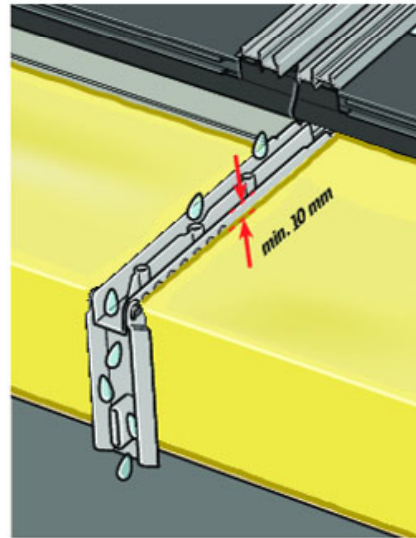
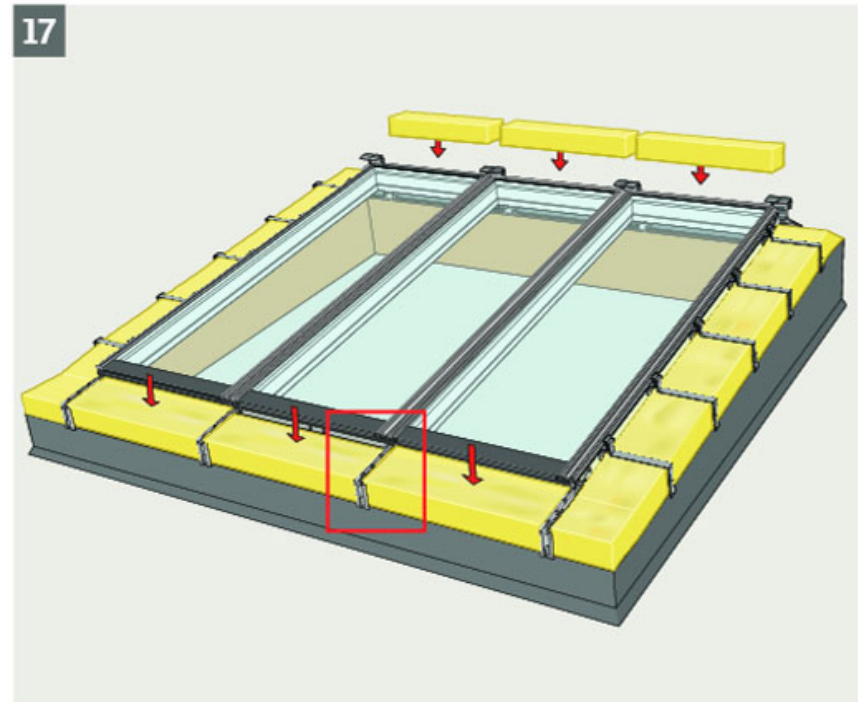
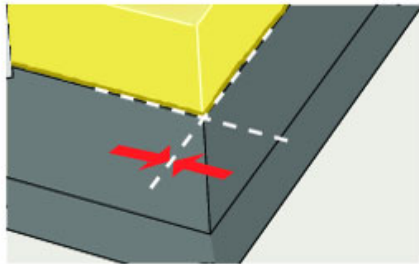
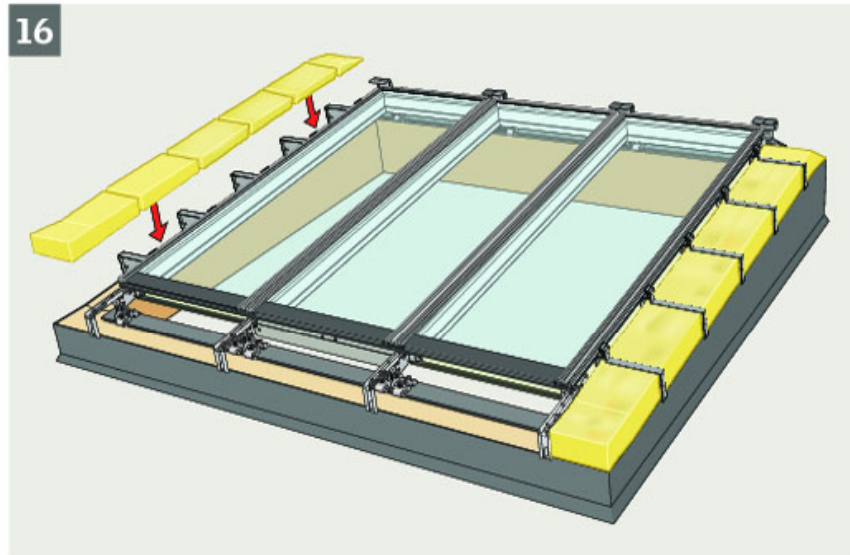
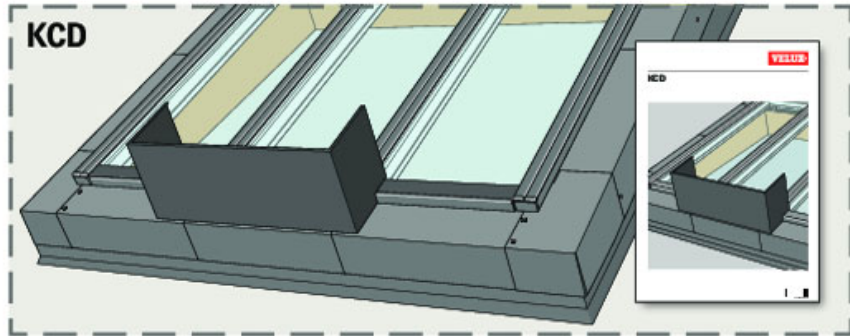


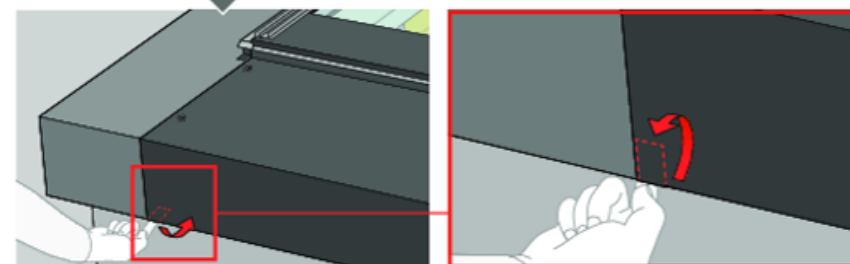
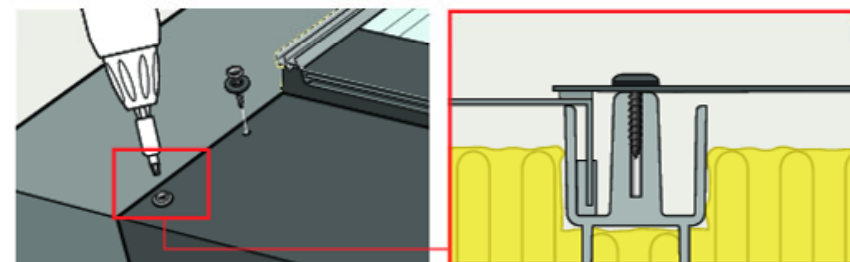
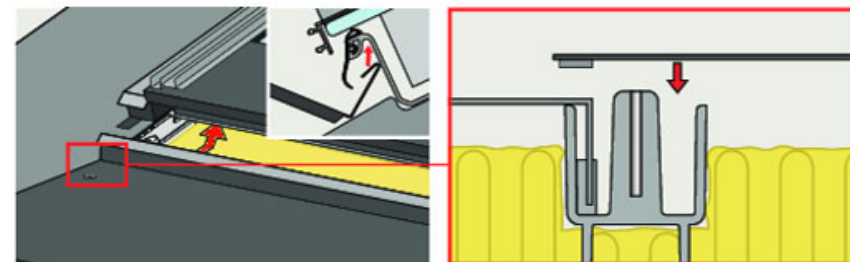
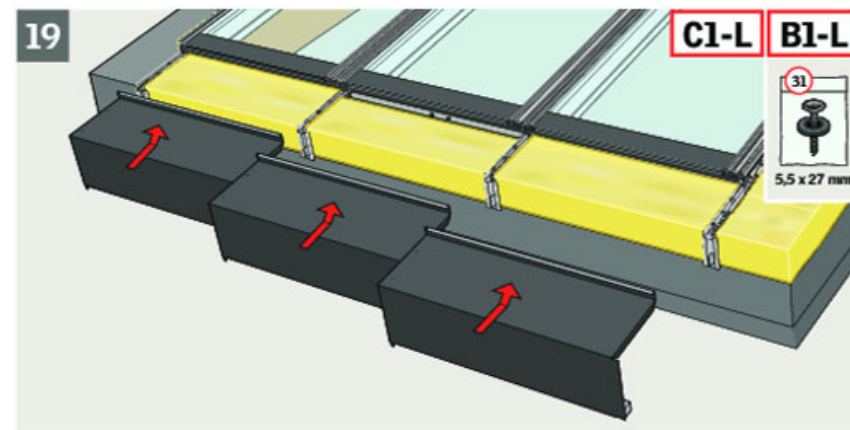
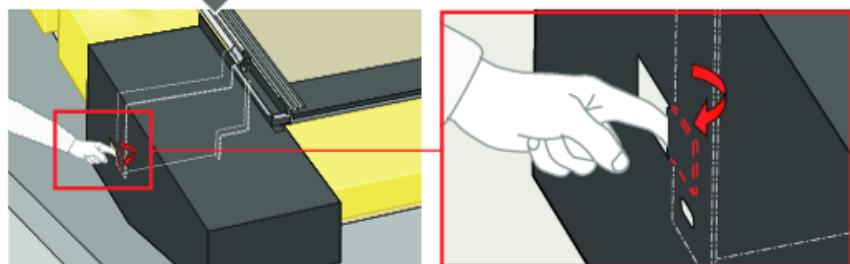
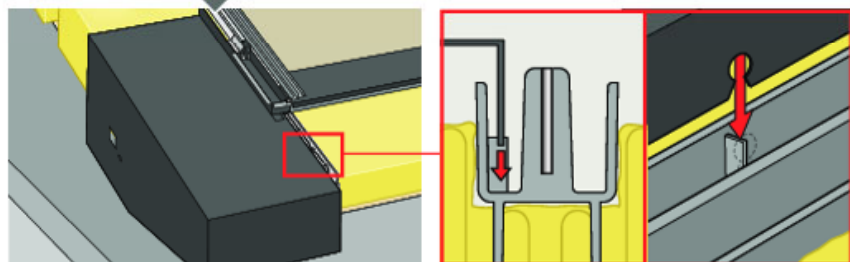
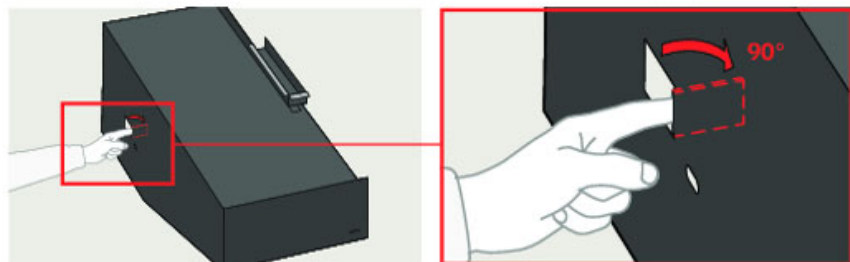
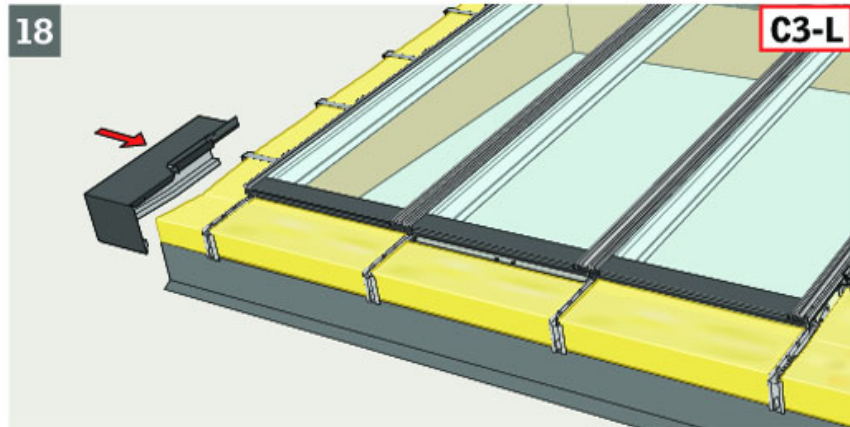
12

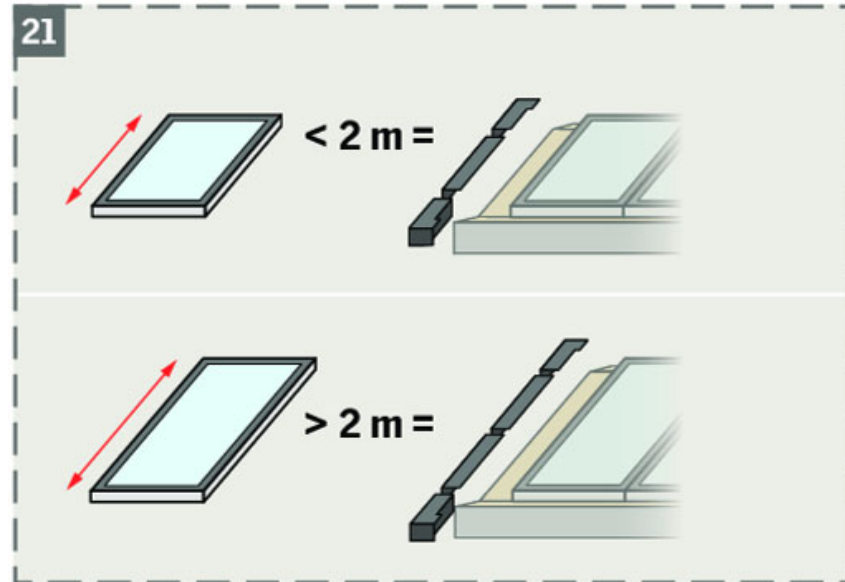
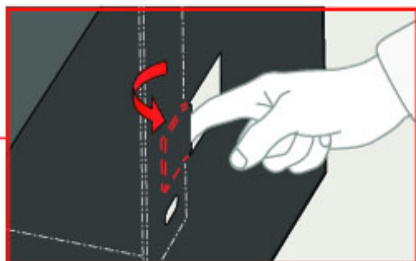
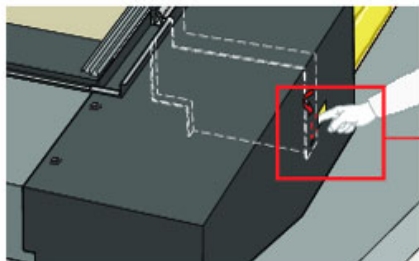
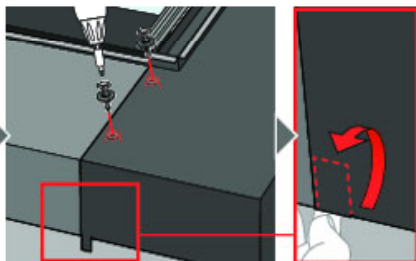
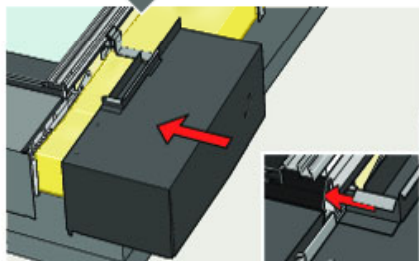
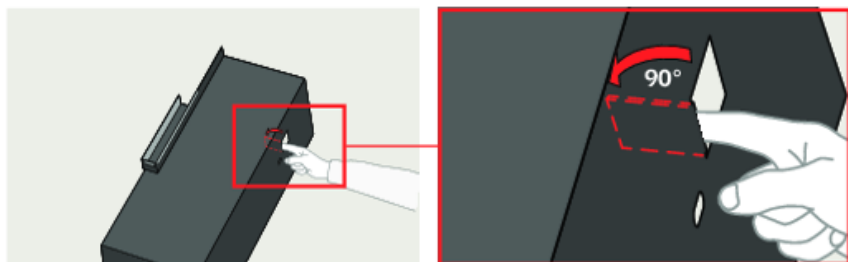
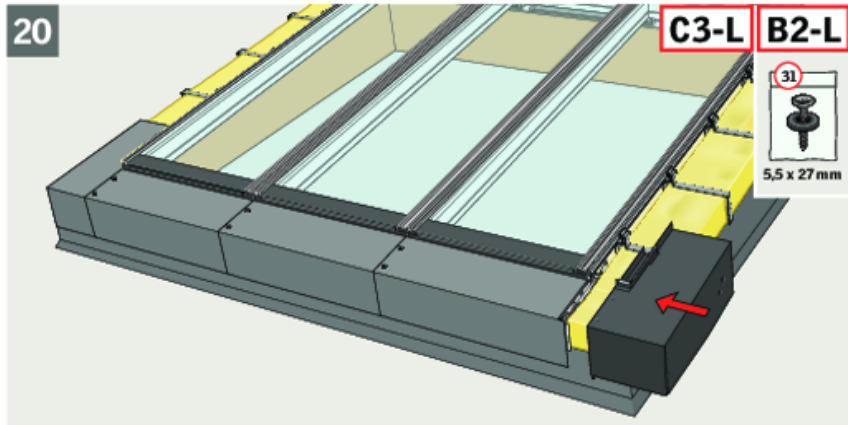






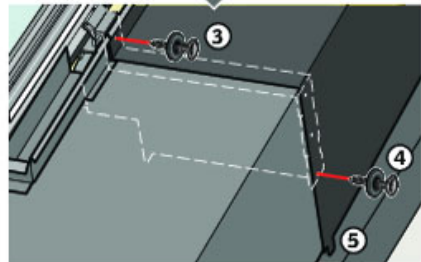
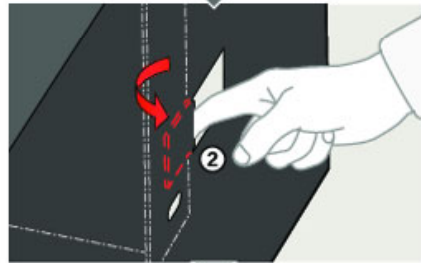
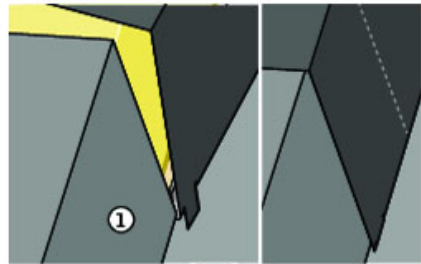
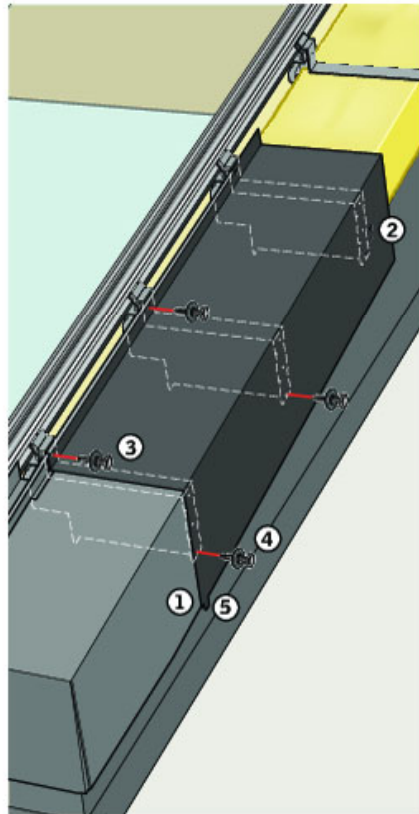
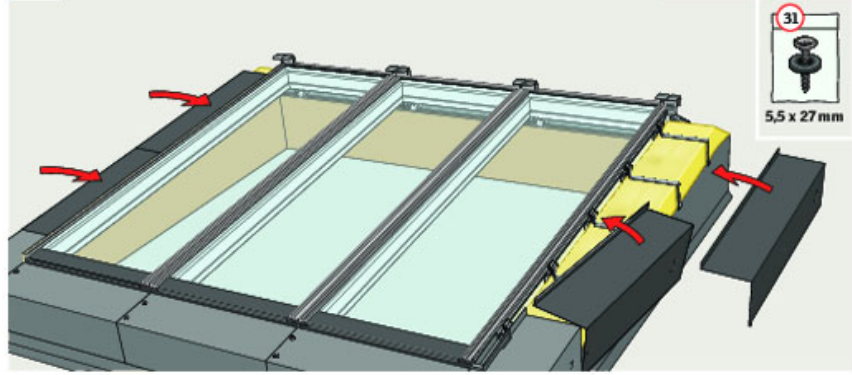






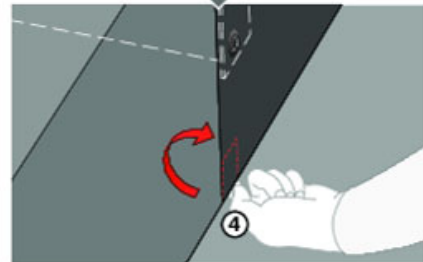
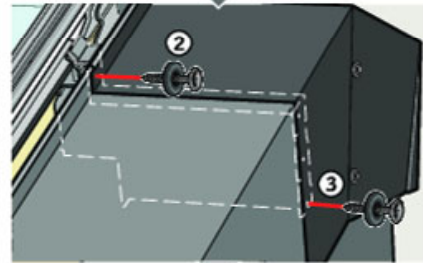
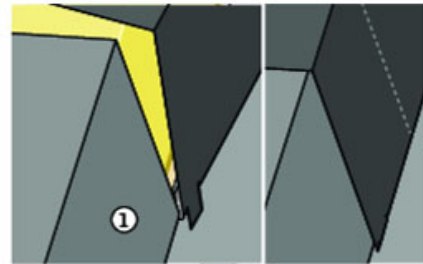
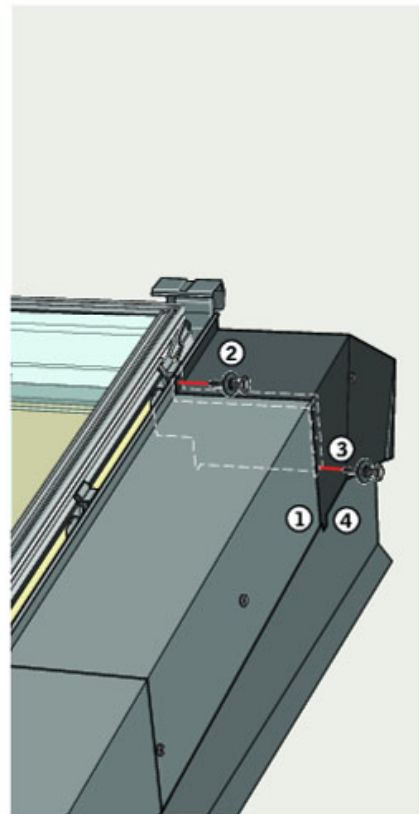
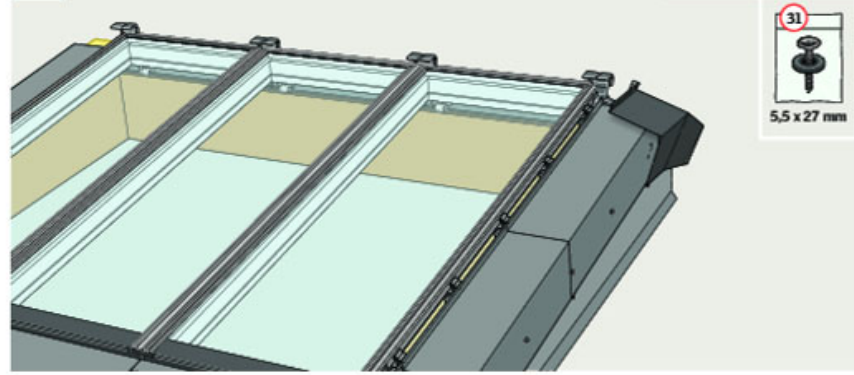
22

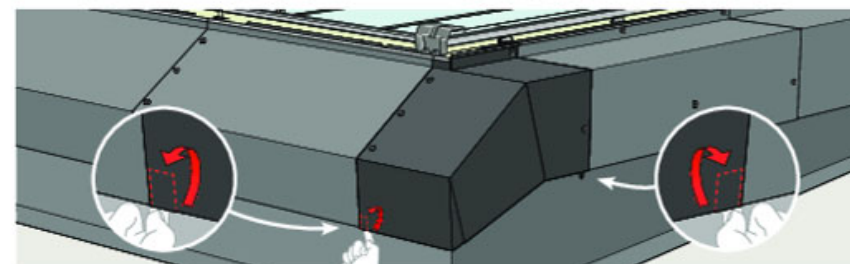
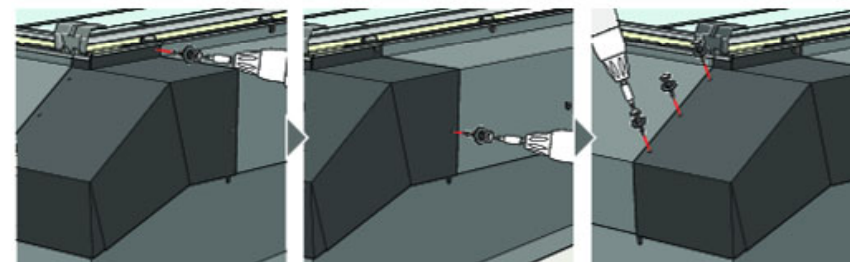
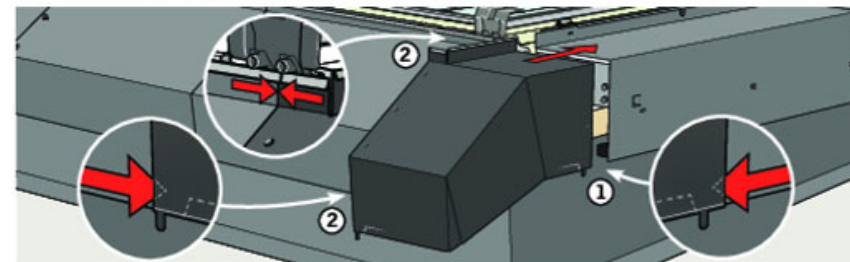
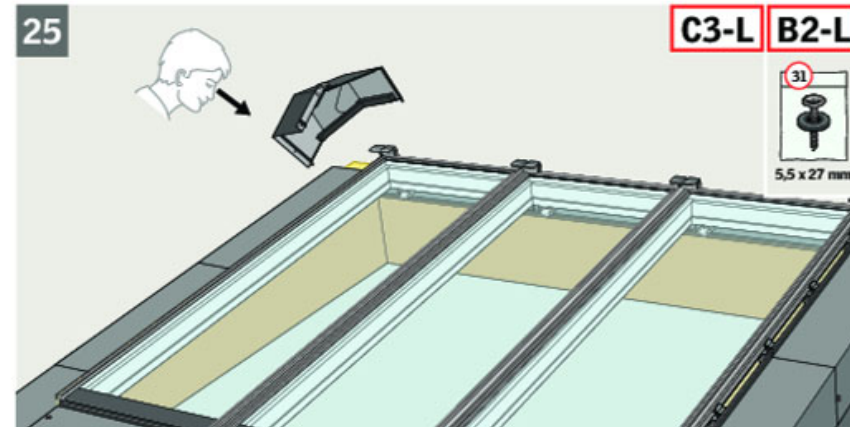
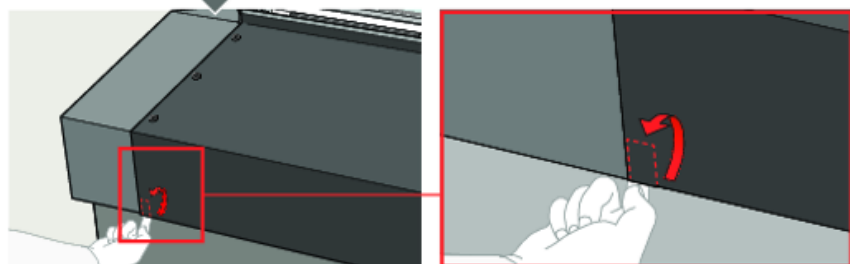
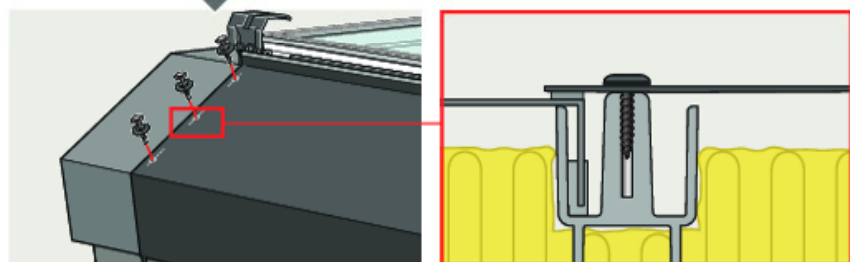
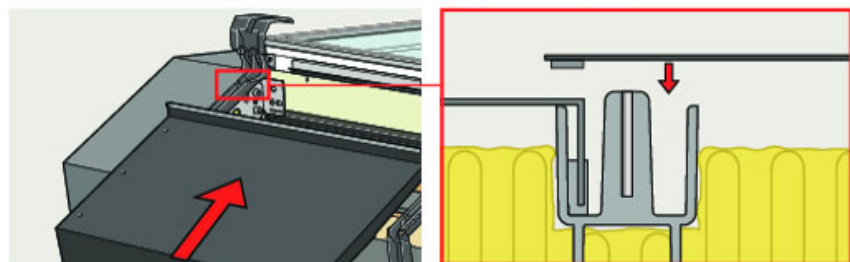
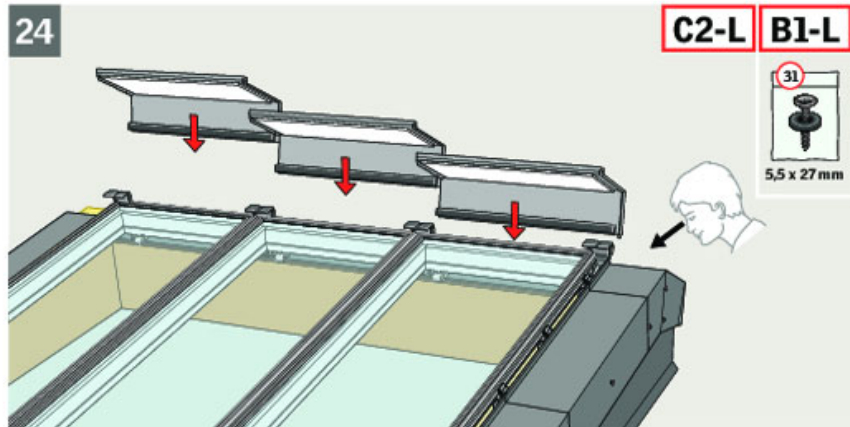
C3-L B2-L

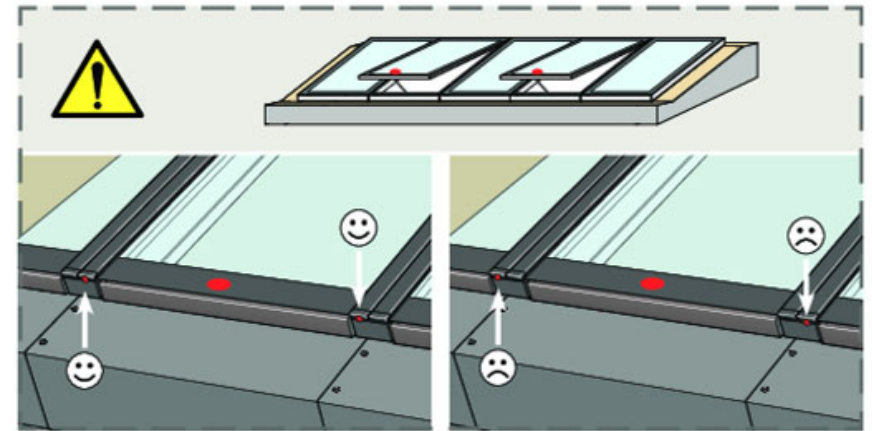
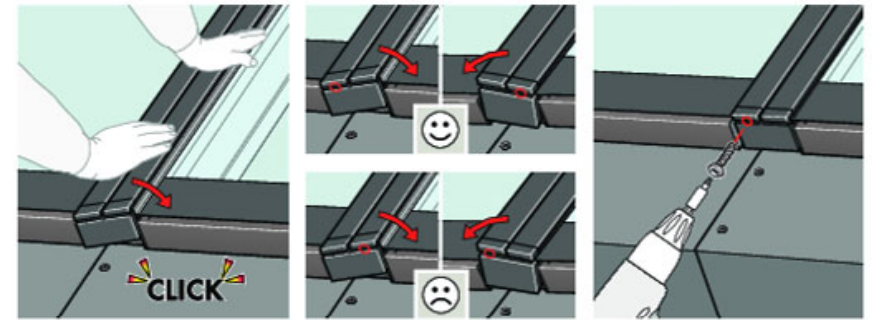
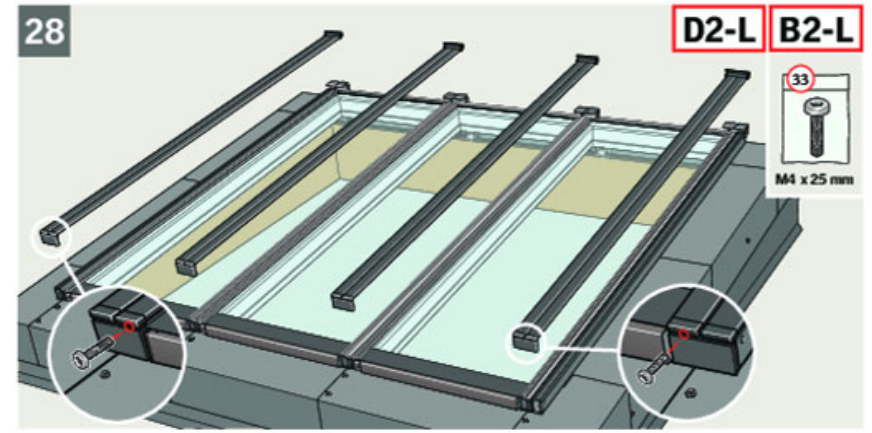
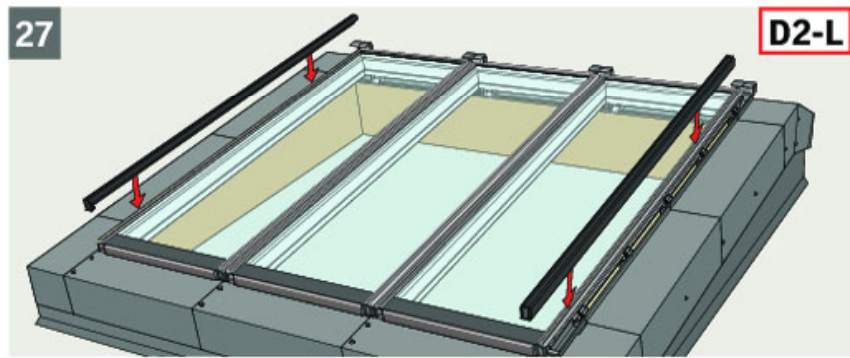
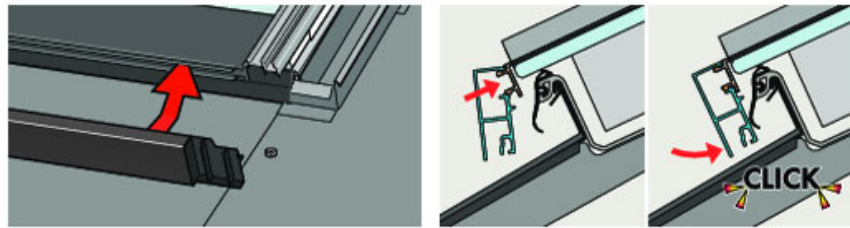
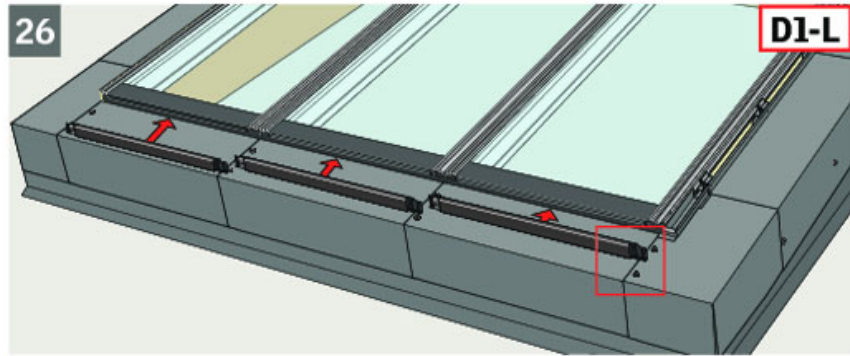


23

C3-L B2-L



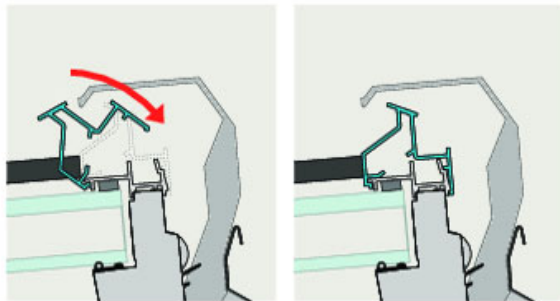
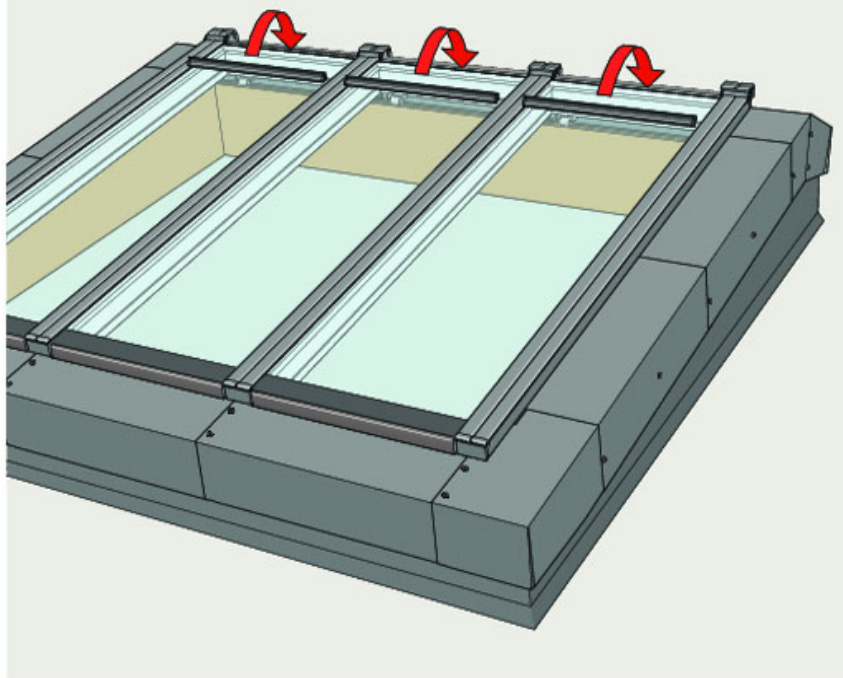






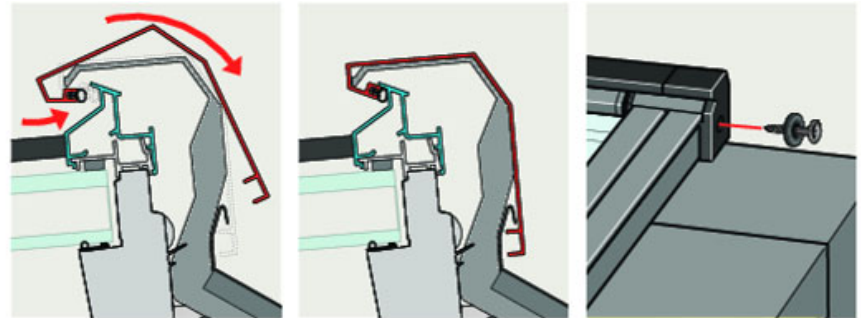
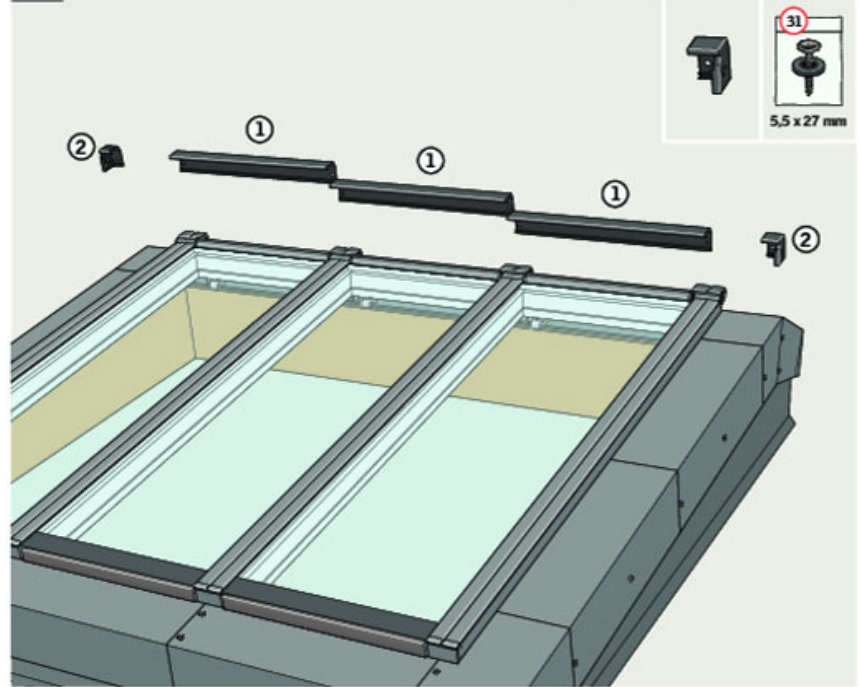
29

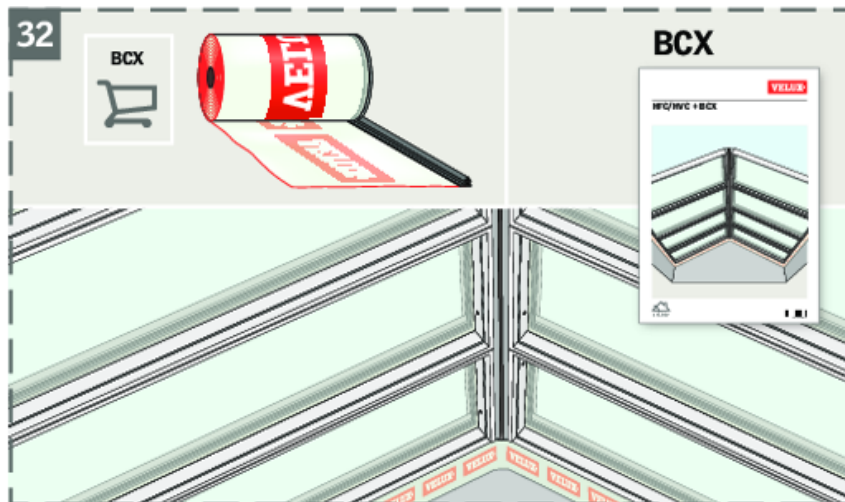
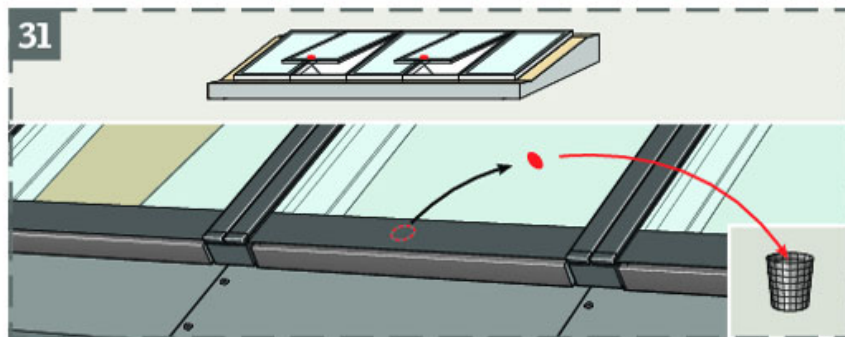
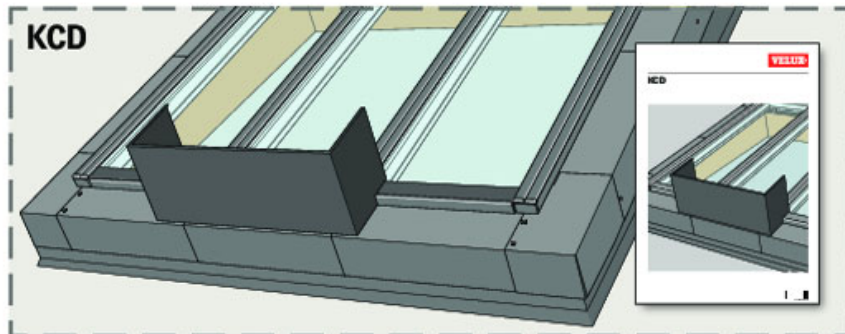
D3-L



30

D3-L D4-L B1-L





- AR: VELUX Argentina S.A.  
348 4 63994 4
- AT: VELUX Österreich GmbH  
02245/32 3 50
- AU: VELUX Australia Pty. Ltd  
130 0 899 856
- BA: VELUX Bosna i Hercegovina d.o.o.  
033/626 493 626 496
- BE: VELUX Belgium  
(030) 42.09.09
- BG: ВЕЛУХ България ЕООД  
02/955 9930
- BY: Унитарное предприятие  
"ВЕЛУХ Беларусь Оне" (017) 329 20 89
- CA: VELUX Canada Inc.  
1 800 88 VELUX (888-3589)
- CH: VELUX Schweiz AG  
062 289 44 45
- CL: VELUX Chile SpA  
2 953 6789
- CN: VELUX (CHINA) CO. LTD.  
036-607 27 27
- CZ: VELUX Česká republika, s.r.o.  
581 015 511
- DE: VELUX Deutschland GmbH  
040 / 54 70 70
- DK: VELUX Danmark A/S  
45 16 45 16

- EE: VELUX Eesti OÜ  
621 7790
- ES: VELUX Spain S.A.  
91 509 71 00
- FI: VELUX Suomi Oy  
0207 290 800
- FR: VELUX France  
0821 02 15 15  
01196 TTCMin
- GB: VELUX Company Ltd.  
01592 778 225
- HR: VELUX Hrvatska d.o.o.  
01/5555 444
- HU: VELUX Magyarország Kft.  
(06/1) 436-0601
- IE: VELUX Company Ltd.  
01 848 8775
- IT: VELUX Italia s.p.a.  
045/6173666
- JP: VELUX Japan Ltd.  
0570-008341
- LT: VELUX Lietuva UAB  
(85) 270 91 01
- LV: VELUX Latvija SIA  
67 27 77 33
- NL: VELUX Nederland B.V.  
030 - 6629 629
- NO: VELUX Norge AS  
2251 06 00

- NZ: VELUX New Zealand Ltd.  
0800 660 445
- PL: VELUX Polska Sp. z o.o.  
(022) 33 77 000 / 33 77 070
- PT: VELUX Portugal Lda  
21 880 00 60
- RO: VELUX România S.R.L.  
0-8008-83589
- RS: VELUX Srbija d.o.o.  
01120 57 500
- RU: ЗАО ВЕЛУХ  
(495) 640 87 20
- SE: VELUX Svenska AB  
042/20 83 80
- SI: VELUX Slovenija d.o.o.  
01 724 68 68
- SK: VELUX Slovensko, s.r.o.  
(02) 33 000 535
- TR: VELUX Çift Pencereci  
Ticaret Limited Şirketi  
0 216 302 54 10
- UA: ТОВ "ВЕЛУХ Україна"  
(044) 2916070
- US: VELUX America LLC  
1-800-88-VELUX